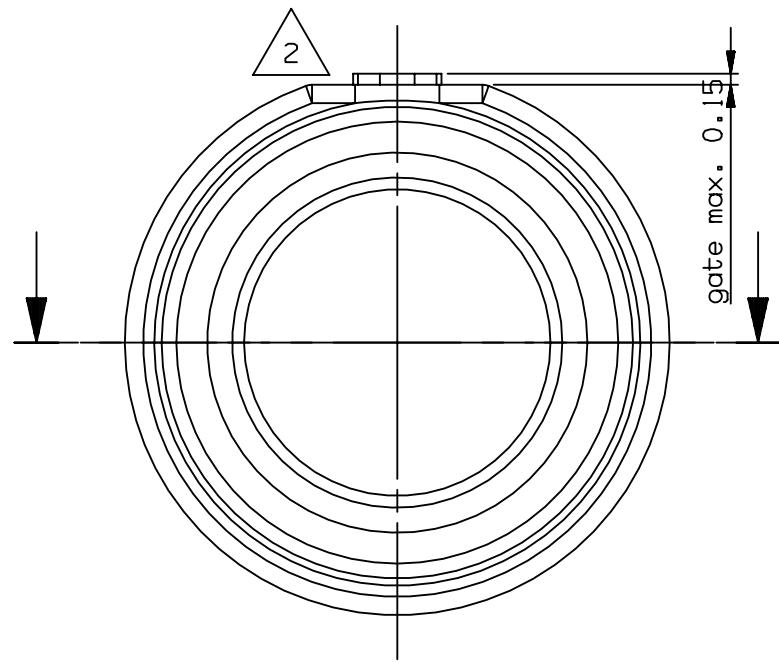
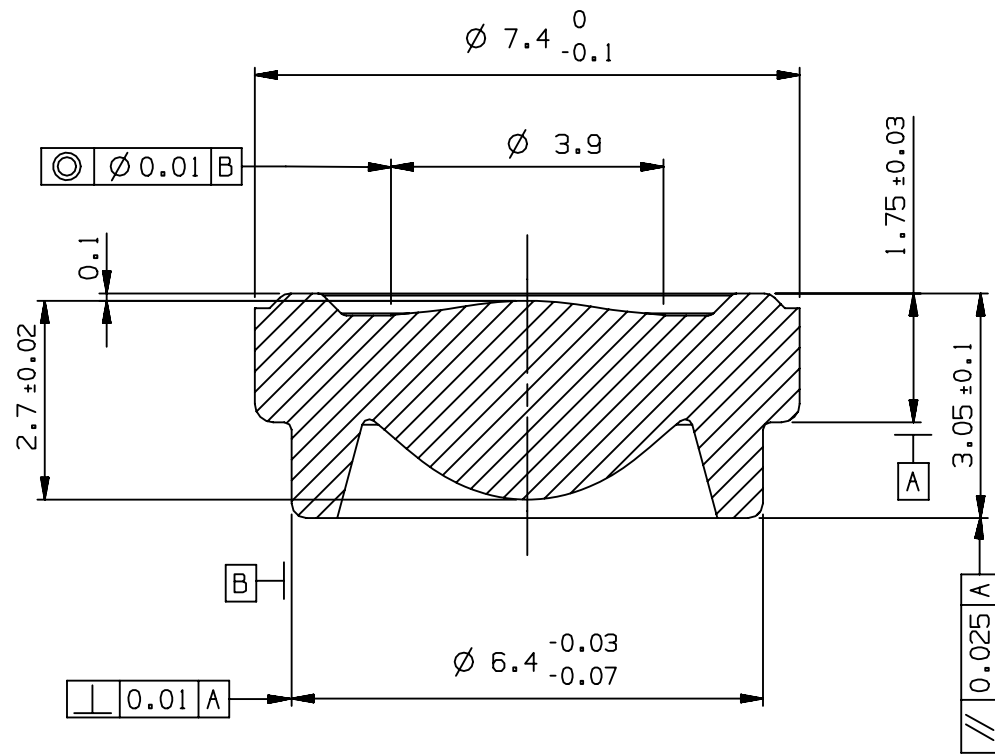


1 2 3 4 5 6 7 8

A
B
C
D
E
F



Item	Spec
Lenstype	bi-aspherical
Outer diameter D [mm]	∅ 7.4
Thickness lens h [mm]	3.05
N.A.	.4
Clear Aperture CA [mm]	3.7
Focal Length [mm]	4.60 4.64
Back Focal Length BFL [mm]	3.18 3.20
Free Working Distance FWD [mm]	3.08 3.10
RMS Wavefront [λ] on axis	40
total	70
Optical Tolerance [mm]	.1
Field Radius [mm]	.1
Storage Temperature [°C]	-25 to 70
Operating Temp. [°C]	5 to 65



General Data

- Transmission[%]:>90. Anti Reflection Coating on Request: Transmission[%]:>99
- Lens Material: Optical Plastic
- Designed with Laser Coverglass: BK7, 0.25mm thick, 0.55mm from source
- Designs available in Zemax

UN-D 28 .. R _a in μm		TOLERANCES UNLESS OTHERWISE STATED DIMENSION ANGLE		UN-D 603		ITEM	ASSEMBLY NO.	QUANT.				
ROUGHNESS	UNIT	MATERIAL				PATTERN NO.						
✓	mm	Optical Grade Plastic				CAD						
SCALE	PROJ. EUROPEAN	TREATMENT				ORDER NO.	QUANT.					
10:1												
CLASS NO.	CAY 046N670				<table border="1"> <tr> <td>1</td> <td>-----</td> </tr> <tr> <td>2</td> <td>2009-03-04</td> </tr> </table>				1	-----	2	2009-03-04
1	-----											
2	2009-03-04											
NAME	Jane Ruan	SUPERS.	01	SH	SH	110	01	10	GRP	A3		
SZU	CHECK	DAT.	2008-06-26		O		2008		Windows NT Intel			