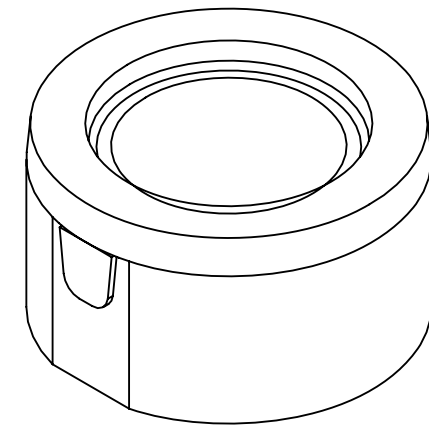
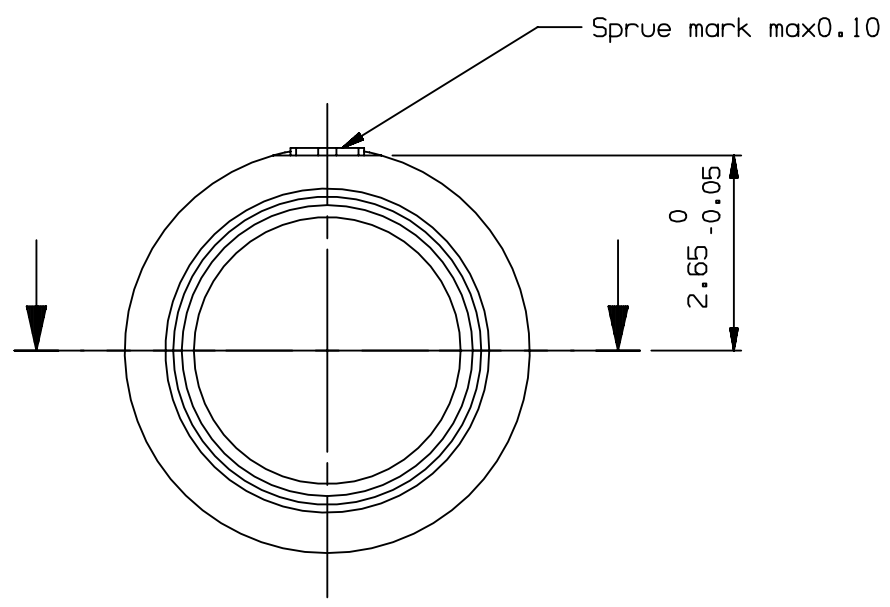
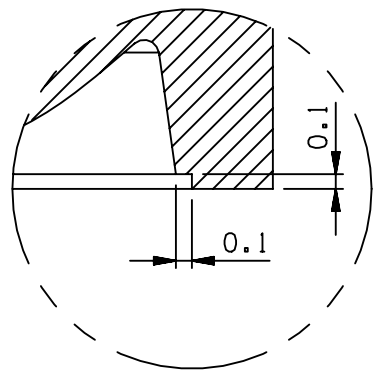


1 2 3 4 5 6 7 8

A
B
C
D
E
F

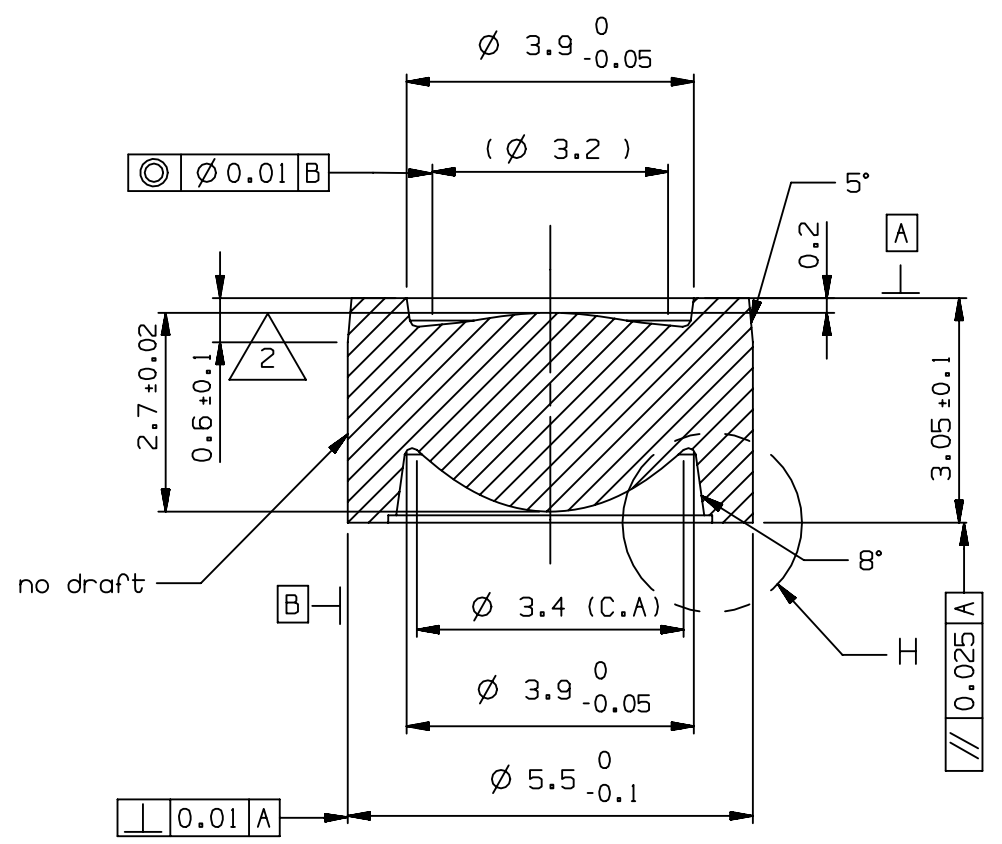


Item	Spec
Lenstype	bi-aspherical
Outer diameter D [mm]	∅ 5.50
Thickness lens h [mm]	3.05
N.A.	.37
Clear Aperture CA [mm]	3.4
Focal Length [mm]	4.60 4.64
Back Focal Length BFL [mm]	3.18 3.20
Free Working Distance FWD [mm]	2.98 3.00
RMS Wavefront [λ] on axis	40
total	80
Optical Tolerance [mm]	.1
Field Radius [mm]	.1
Storage Temperature [°C]	-25 to 70
Operating Temp. [°C]	5 to 65



General Data

- Transmission (%): >90. Anti Reflection Coating on Request: Transmission (%): >99
- Lens Material: Optical Plastic
- Designed with Laser Coverglass: BK7, 0.25mm thick, 0.55mm from source
- Designs available in Zemax



UN-D 28		TOLERANCES UNLESS OTHERWISE STATED		UN-D 603					
.. R _a in μm		DIMENSION		ANGLE		ITEM		ASSEMBLY NO.	
ROUGHNESS		UNIT		MATERIAL		PATTERN NO.		QUANT.	
✓		mm		Optical Grade Plastic				CAD	
SCALE		PROJ. EUROPEAN		TREATMENT		ORDER NO.		QUANT.	
10:1		[Symbol]							
CLASS NO.		CAY 046/55N670				1		-----	
						2		2009-03-04	
NAME Jane Ruan		SUPERS.		01 SH SH 110 01		10		GRP A3	
SZU		CHECK		DAT. 2008-06-26		O		2008 Windows NT Intel	

