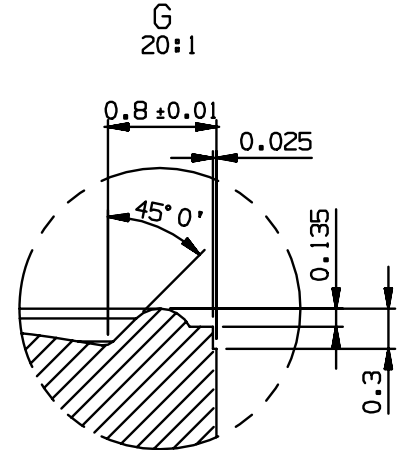
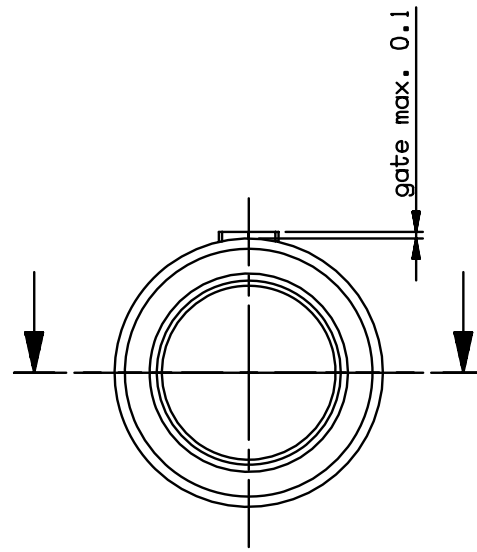
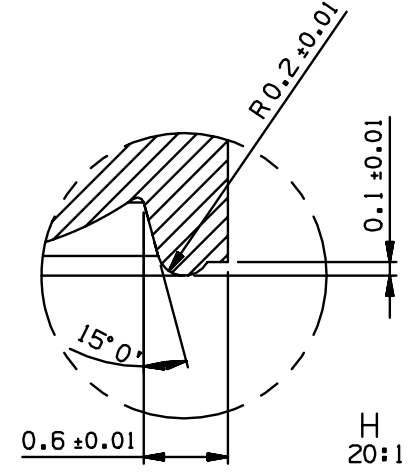
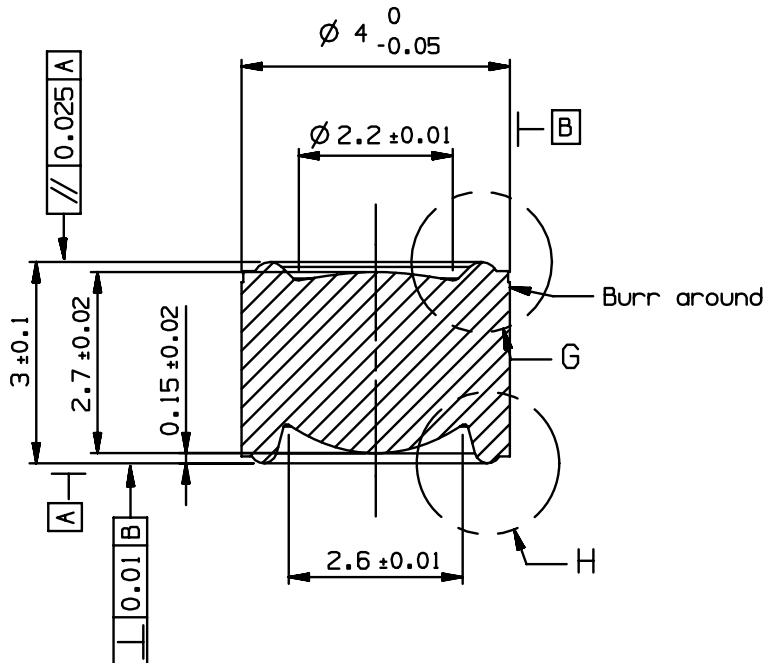
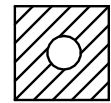
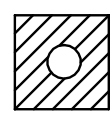


1 2 3 4 5 6 7 8

A
B
C
D
E
F



Item	Spec
Lenstype	bi-aspherical
Outer diameter D [mm]	∅ 4.0
Thickness lens h [mm]	3.00
N.A.	.38
Clear Aperture CA [mm]	2.5
Focal Length [mm]	3.35
Back Focal Length BFL [mm]	2.07
Free Working Distance FWD [mm]	1.92
RMS Wavefront [λ] on axis	40
total	65
Optical Tolerance [mm]	.1
Field Radius [mm]	.05
Storage Temperature [°C]	-25 to 70
Operating Temp. [°C]	5 to 65



General Data

- Transmission[%]: 90
- Lens Material: Optical Plastic
- Designed with Laser Coverglass: BK7, 0.25mm thick, 0.55mm from source
- Designs available in Zemax

UN-D 28	TOLERANCES UNLESS OTHERWISE STATED	UN-D 603	ITEM	ASSEMBLY NO.	QUANT.
UN-D 603	DIMENSION	ANGLE			
ROUGHNESS	UNIT	MATERIAL		PATTERN NO.	CAD
✓	mm	Optical Grade Plastic			
SCALE	PROJ. EUROPEAN	TREATMENT		ORDER NO.	QUANT.
10:1					
CLASS NO.	CAY 033/40		1		
			5722 650 3479		
NAME	Jane Ruan	SUPERS.	01 SH	110 01	10 GRP A3
SZU	CHEK	DAT.	2008-06-26	O	2008 Windows NT Intel