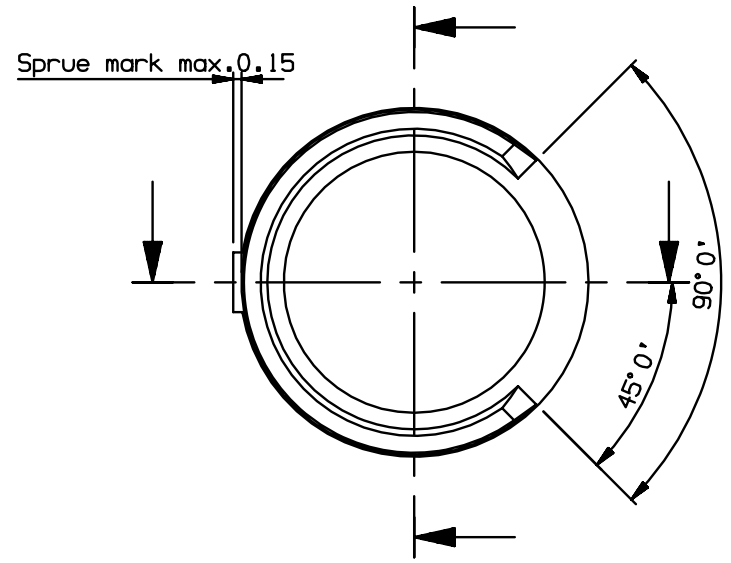
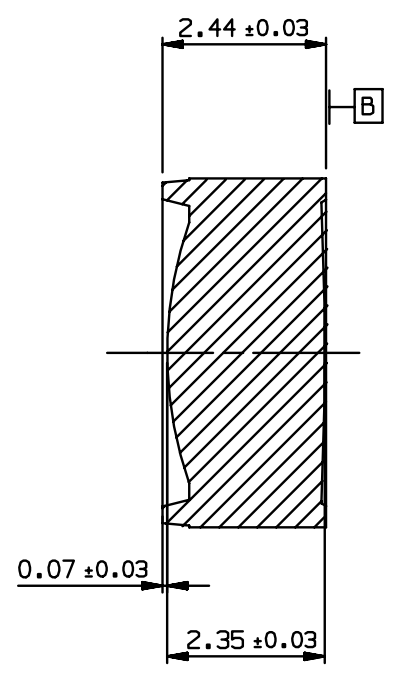
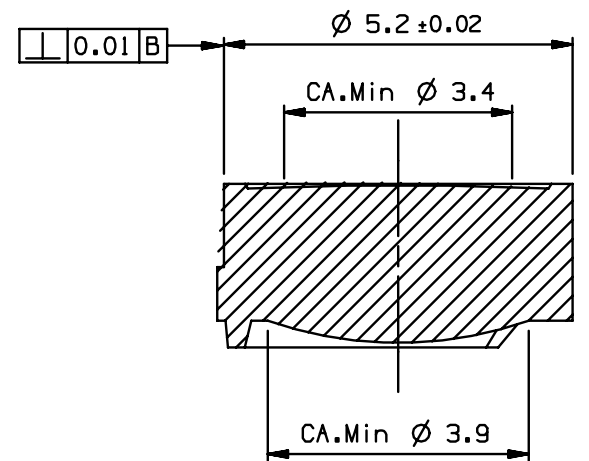
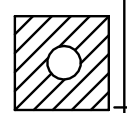
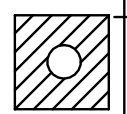


1 2 3 4 5 6 7 8

A  
B  
C  
D  
E  
F



Item	Spec
Lenstype	bi-aspherical
Outer diameter D [mm]	∅ 5.20
Thickness lens h [mm]	2.44
N.A.	.195
Clear Aperture CA [mm]	3.9
Focal Length [mm]	9.85
Back Focal Length BFL [mm]	8.4
Free Working Distance FWD [mm]	8.3
RMS Wavefront [λ] on axis	40
total	50
Optical Tolerance [mm]	.1
Field Radius [mm]	.15
Storage Temperature [°C]	-25 to 100
Operating Temp. [°C]	-10 to 75



General Data

- Transmission[%]: 90
- Lens Material: Optical Plastic
- Designed with Laser Coverglass: BK7, 0.25mm thick, 0.55mm from source
- Designs available in Zemax

UN-D 28	TOLERANCES UNLESS OTHERWISE STATED	UN-D 603	ITEM	ASSEMBLY NO.	QUANT.
.. R <sub>a</sub> in μm	DIMENSION	ANGLE		PATTERN NO.	
ROUGHNESS	UNIT	MATERIAL	Optical Grade Plastic	ORDER NO.	QUANT.
✓	mm				CAD
SCALE	PROJ. EUROPEAN	TREATMENT			
10:1					
CLASS NO.	CAW 100		1 -----		
			8122 358 7751		
NAME Jane Ruan	SUPERS.	01 SH	SH 110	01	10
SZU	CHEK	DAT. 2008-06-26	O	2008	Windows NT Intel